

Installation and operation manual

Drying cabinet with heat pump

Thank you for choosing this drying cabinet. We hope that it will be of great use for you and ask you kindly to read the instructions carefully.

IMPORTANT!

FOR YOUR SAFETY, the information in this manual must be followed to prevent property damage and personal injury.

NOTE: The paragraphs marked "WARNING" and "CAUTION" appearing in this manual are not meant to cover all possible conditions and situations that may occur. It is very important that water and electricity are handled with great care and respect, by both installation technicians and end users.

Contents

Safety regulations	4
Important safety instructions	5
Specification	6
Dimensions	6
Technical information	7
Assembly instructions	8
Installation of the cabinet	21
Step 1: Put the cabinet in place	21
Step 2: Fasten the cabinet to the wall	21
Step 3: Connect condensate pipe	21
Step 4: Connect the drying cabinet to the main switch	21
User manual	22
Automatic programs	22
Select drying time manually	22
Maintenance	23
Installation during winter	23
Take good care of the cabinet	23
Once-a-year cleaning	23
Keep your cabinet efficient and economical	23

Safety regulations

Throughout this manual you will find text warnings in text boxes: “WARNING” and “CAUTION”. In these boxes you’ll find the safety measurements you’ll have to take; end user, service staff or installation staff.

WARNING

Indicates hazardous situation that, if not avoided, could cause severe personal injury.

You will also find precautions marked: IMPORTANT and NOTE. These are followed by information of what should be considered.

IMPORTANT: to inform the reader of special steps that must be taken in order to prevent injuries on the cabinet.

NOTE: to inform what is important to know, but it cannot cause personal injuries or injury on the cabinet.

Important safety instructions

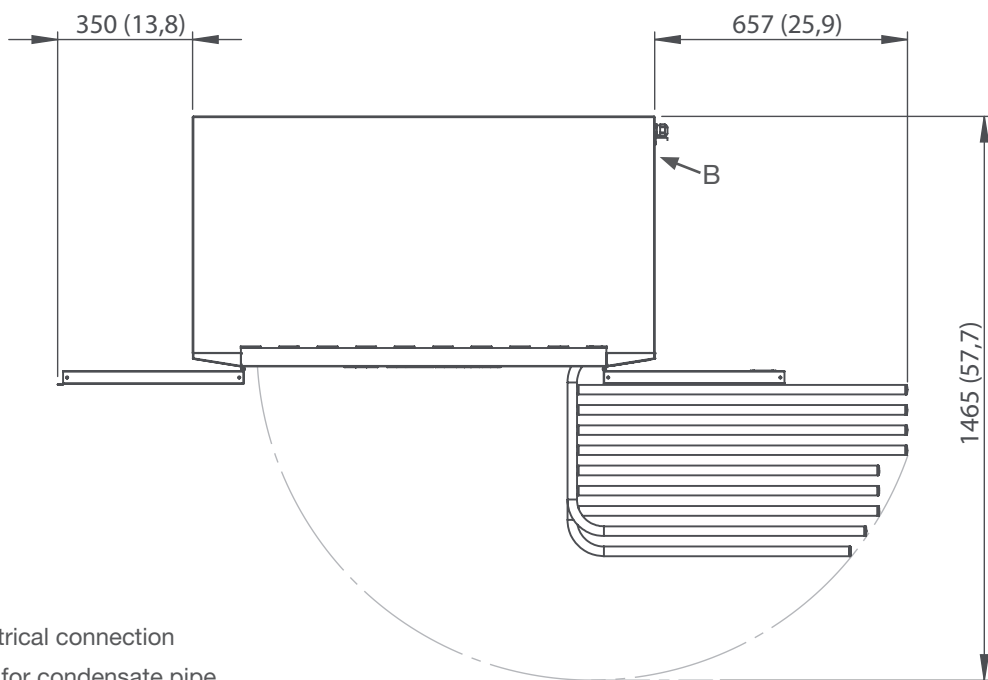
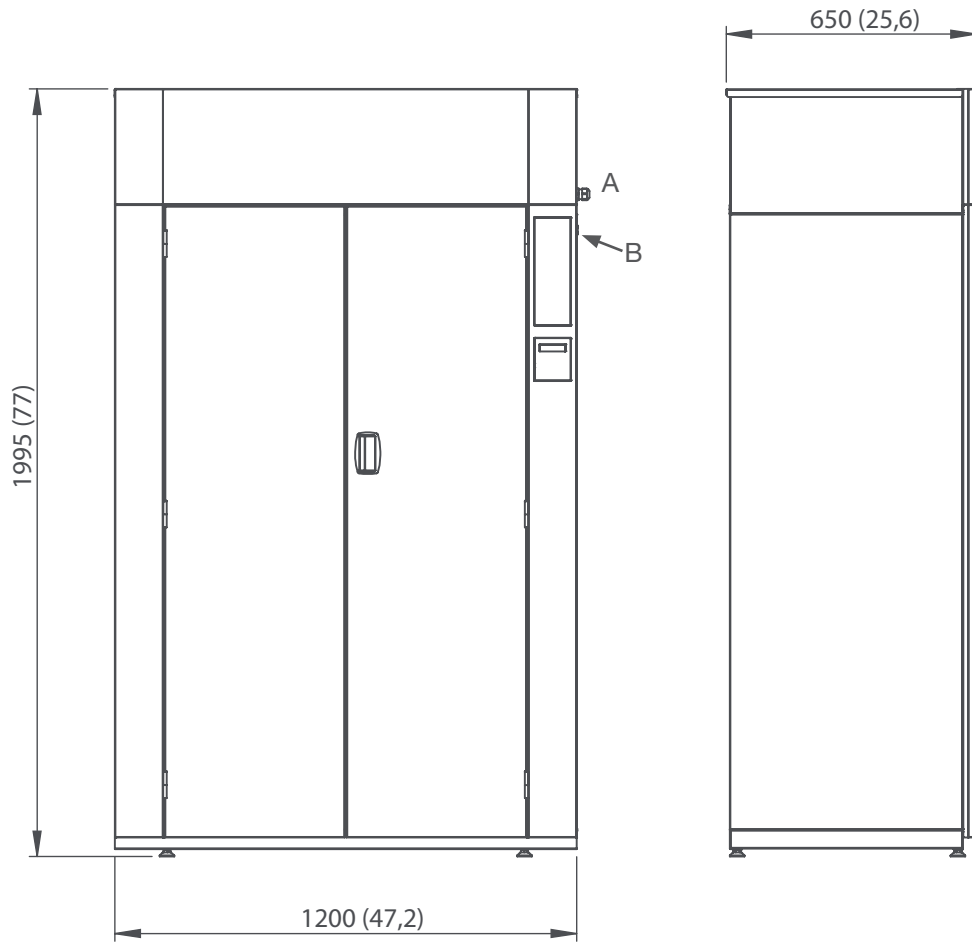
WARNING

To minimize the risk of fire, electrical shock, personal injuries or death when the cabinet is in use the following precautions must be followed:

1. Read the instruction before using the drying cabinet.
2. Follow the installation instructions for proper grounding.
3. Never dry textiles that have been washed, dipped or exposed to fire dangerous substances or fluids.
4. Never add fire dangerous or explosives substances in the cabinet.
5. The cabinet is not a toy. Look after the children who are around the cabinet.
6. Never connect the cabinet with an extension cable.
7. Only use the cabinet for what it is designed for: drying clothes.
8. Always turn off the main switch before performing any service on the cabinet. Only authorized service technicians should perform service.
9. Always follow the installation manual. The electrical connections must be done by authorized personnel.
10. Keep after the cabinet. If it is exposed for violence there is a risk that certain security functions will stop working. Please contact your nearest service partner if you are unsure of the cabinet's status.
11. If the electrical cable is damaged, it must immediately be changed by a person with electrical authorization.
12. The doors shall always be shut when the cabinet is in use. Don't try to manipulate the lock of the doors. It can lead to personal injuries. If the cabinet doesn't stop when the doors are opened during the drying phase, call for service. The cabinet shall not be used if the drying program is active when the doors are open!
13. To get the best drying result, follow the garments washing & drying advice.
14. Never use the cabinet if any panel is broken or removed.
15. Never use the cabinet if any parts are broken or if the inside is broken.
16. Never try to manipulate or connect past any safety functions.
17. If the cabinet isn't assembled after the manufacturer's instructions, there is a risk that the cabinet can cause personal injuries or injuries on property.

Specification

Dimensions



A = Electrical connection
B = Hole for condensate pipe

cm (in)

Technical information

Loading capacity, kg (lb)	8 (17,6)
Drying capacity, g/min (oz/min)*	45 (1,59)
Hanging length, m (ft)	16 (52,5)
Drying time, min*	58
Condensate pipe Ø, mm (in)	26 (1,02)
Refrigerant	R407C
Amount of refrigerant, gram (oz)	1125 (39,7)
Electrical connection	3~N, 400 V, 50 Hz
Total effect, kW	1,7
Energy consumption, kWh*	1,7
Fuse, A	10
Art No	131031
*Drying of 6 kg (13,2 lb) cotton (dry weight), washed and high-spinned to 43% residual moisture. Dried to 0% residual moisture.	

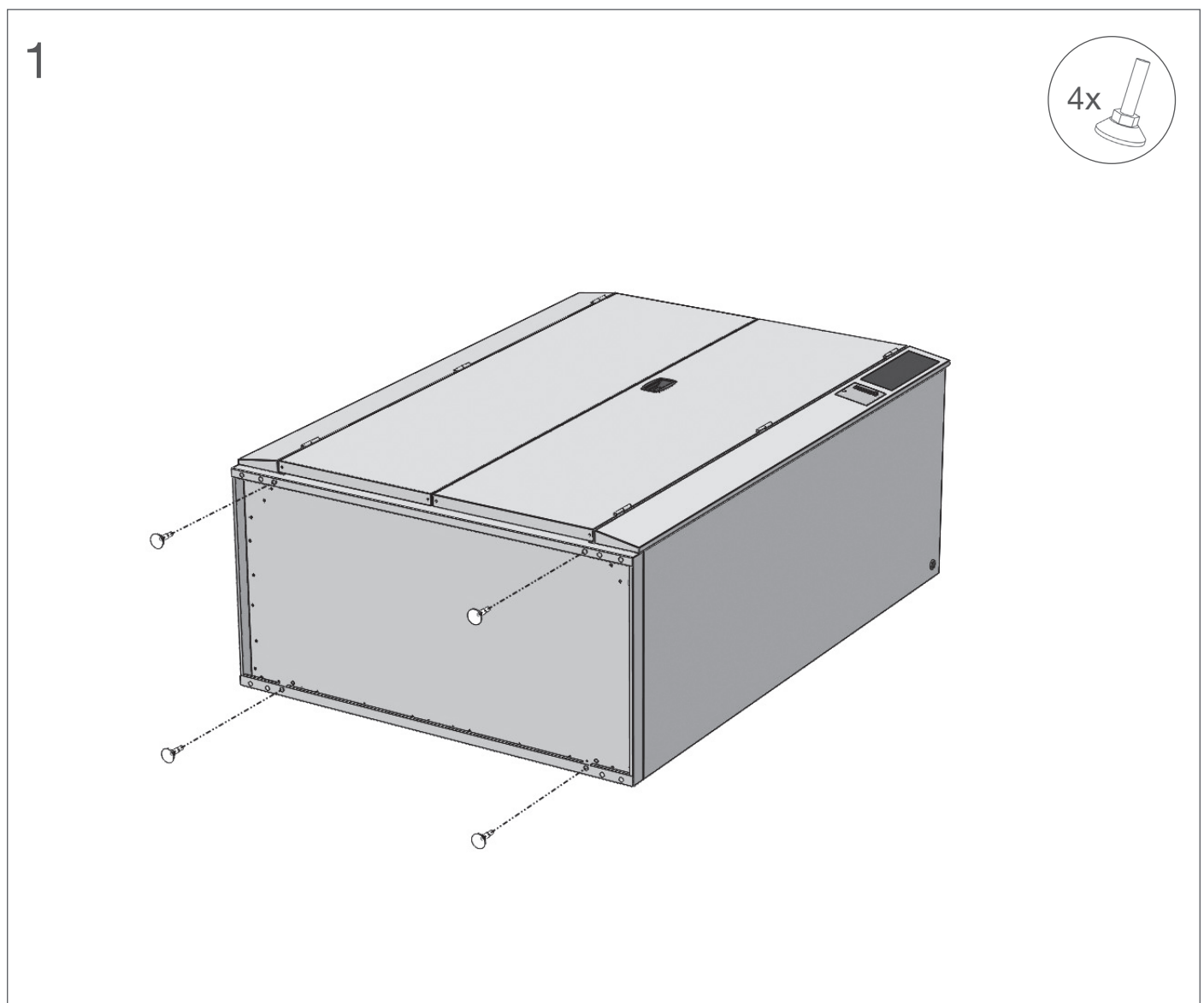
Assembly instructions

Tools

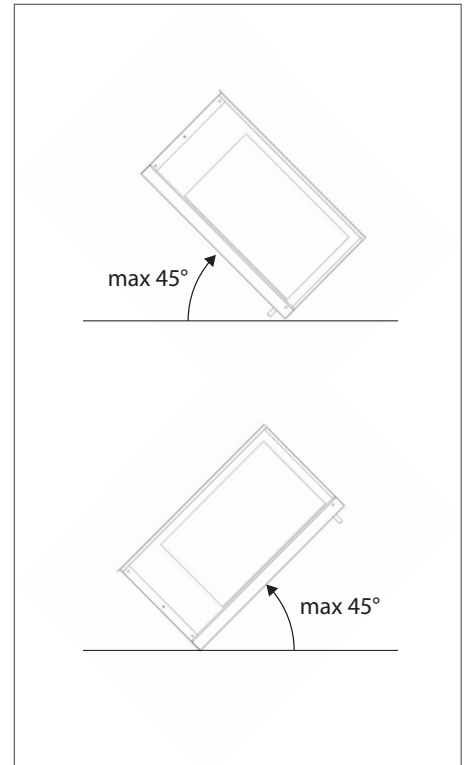
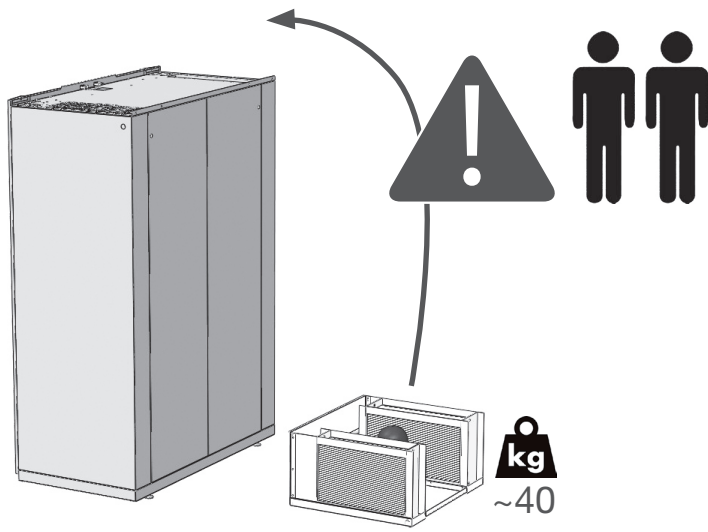
You need the following tools to easily install the drying cabinet:


- Cordless screwdriver
- Wrench
- Hex key 5 mm
- Level
- Torx screwdriver bit no. 25

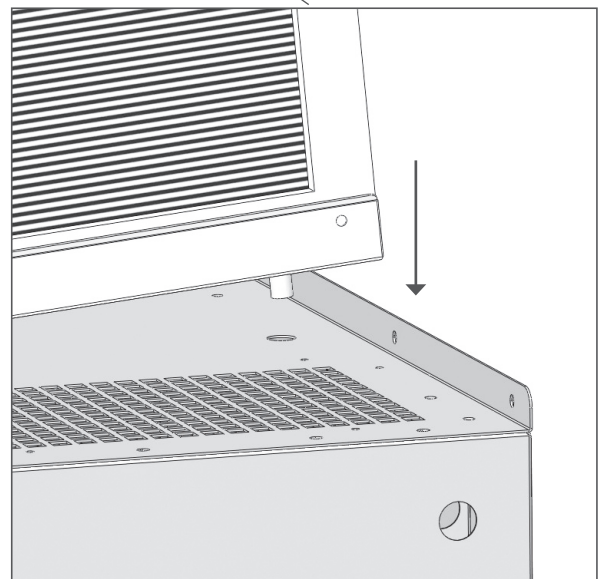
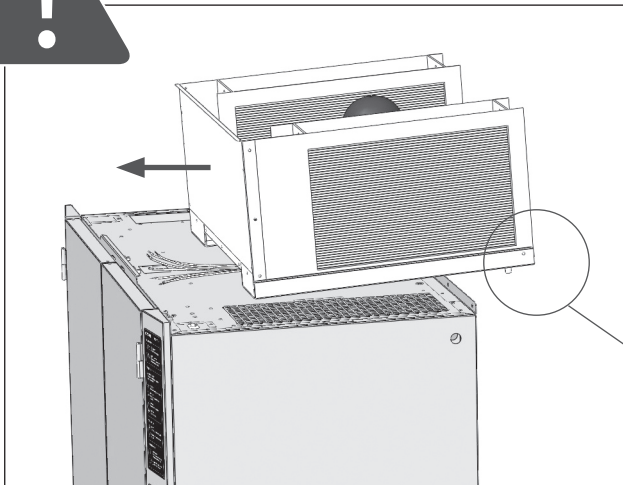
Time for assembly is approximately 1 hour.



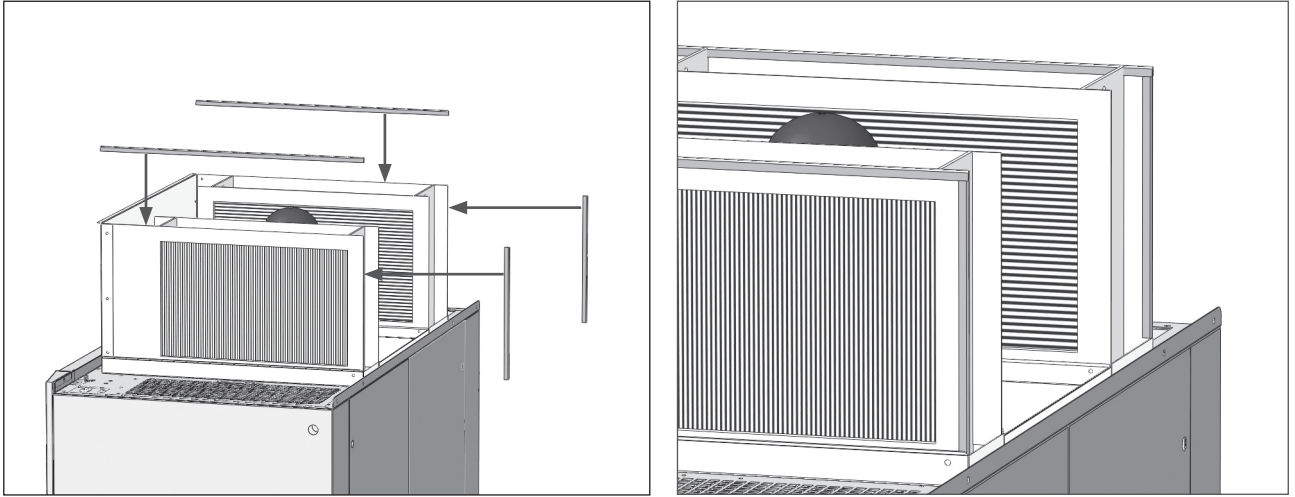
2



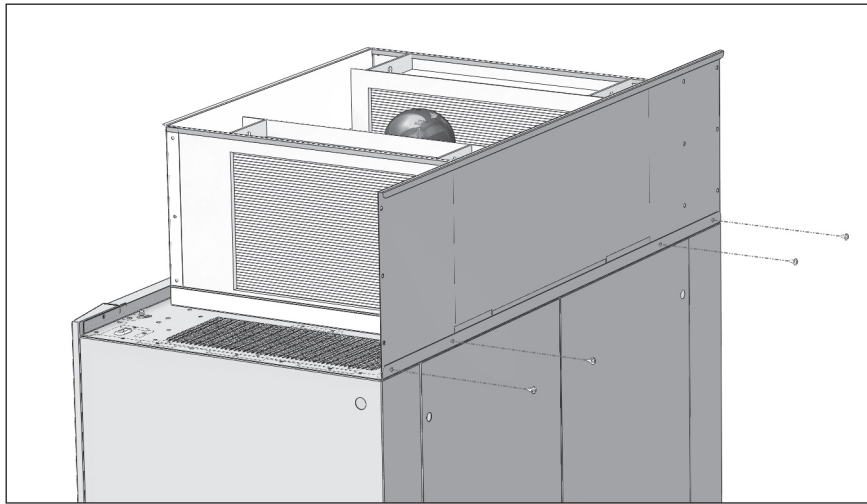
 Make sure cables are out of the way



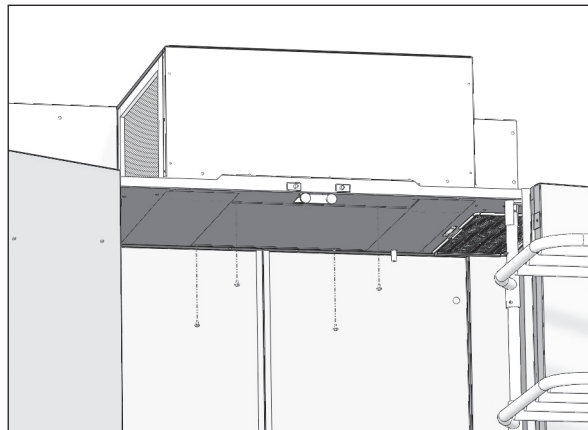
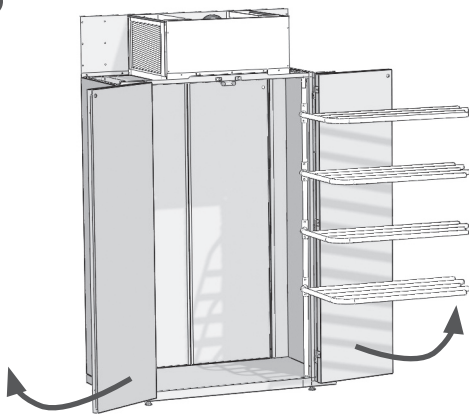
3



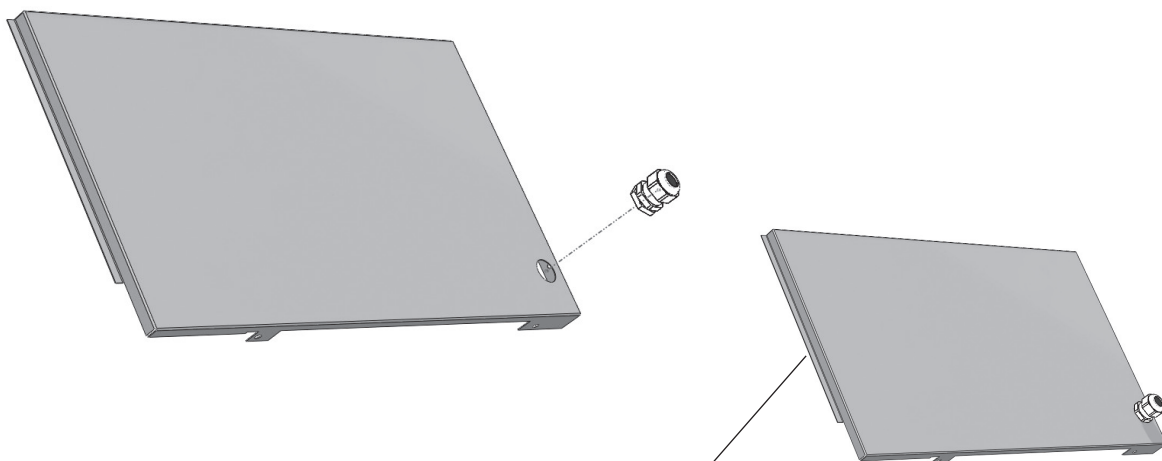
4



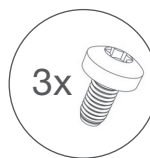
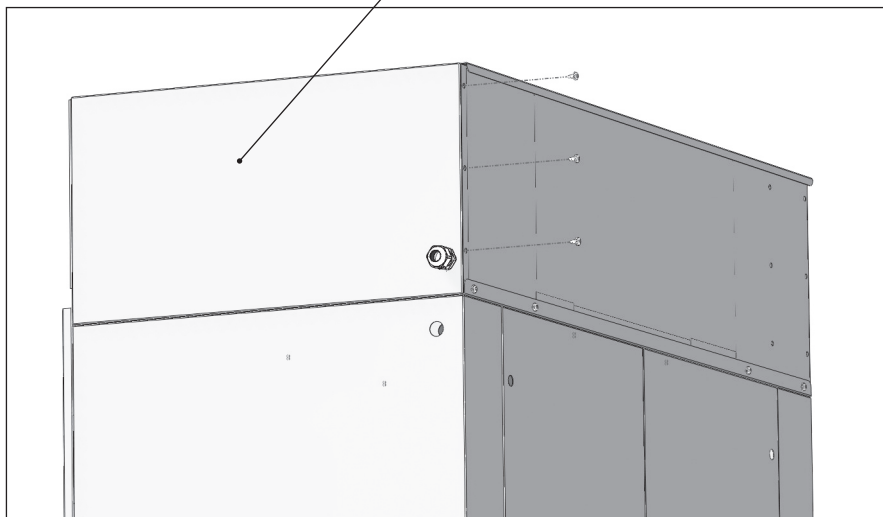
5



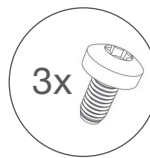
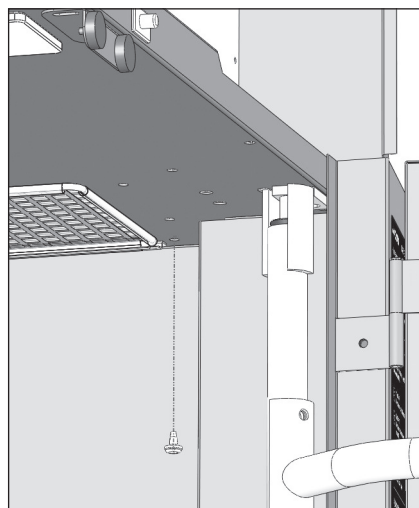
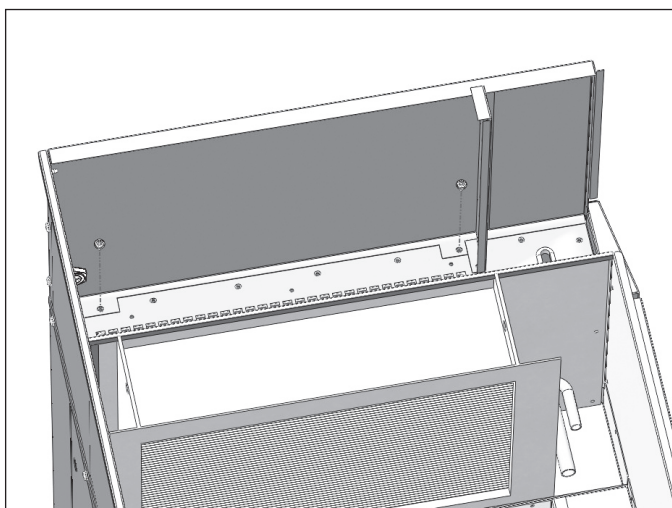
6



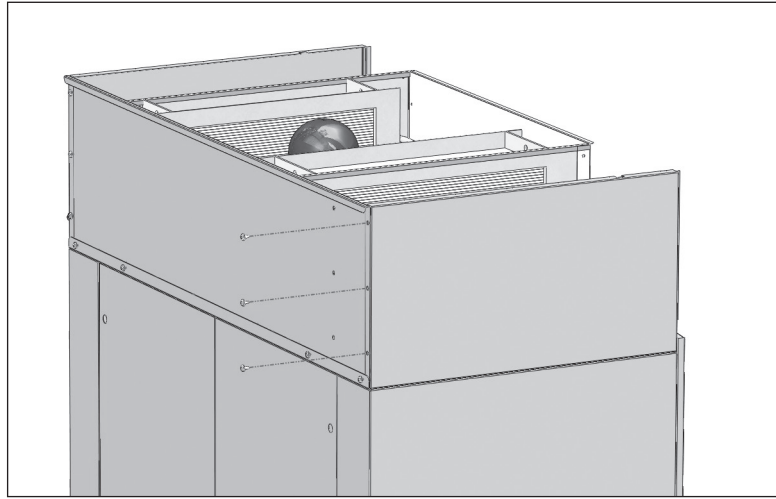
7



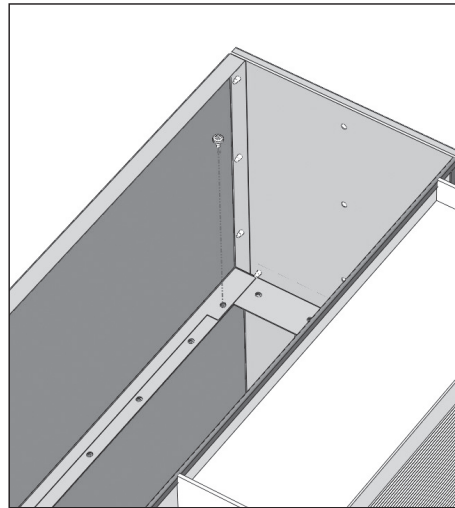
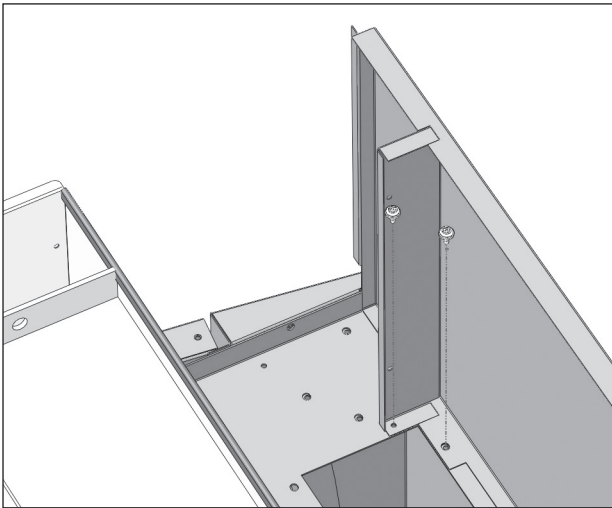
8



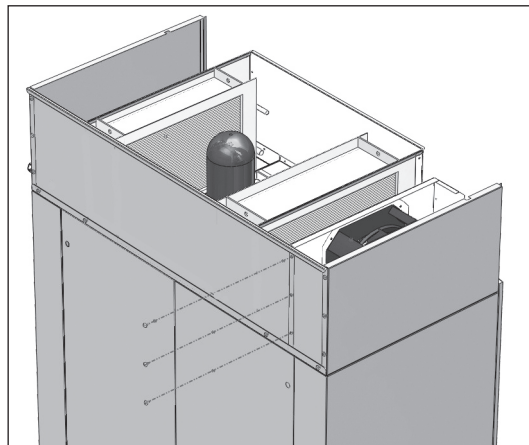
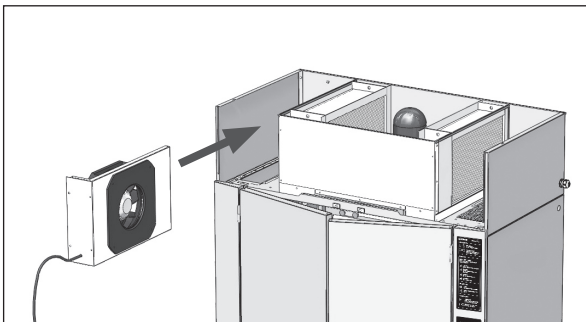
9



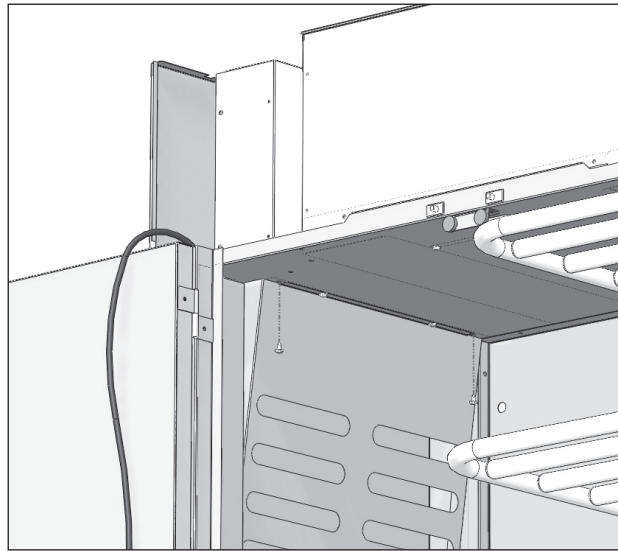
10



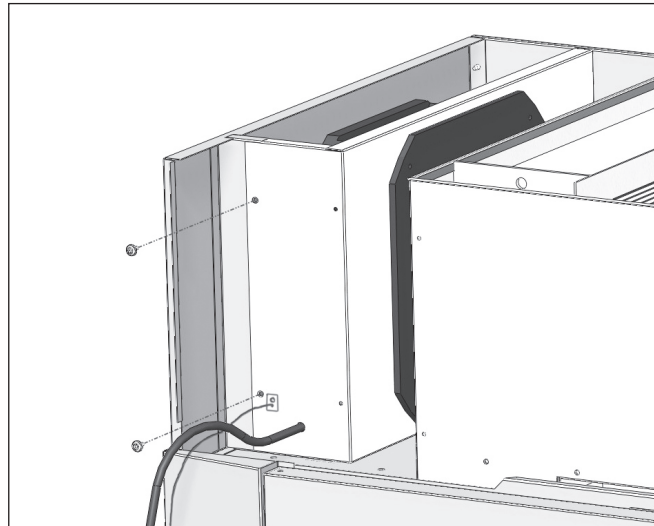
11



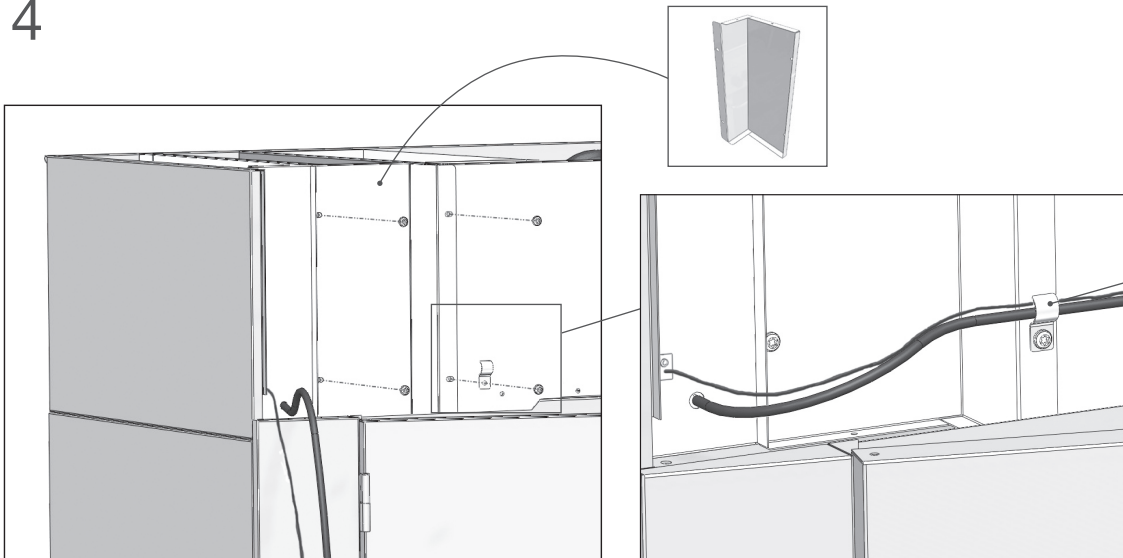
12



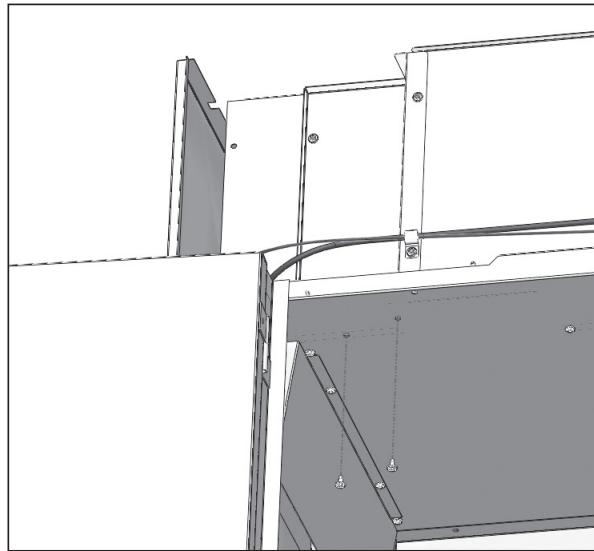
13



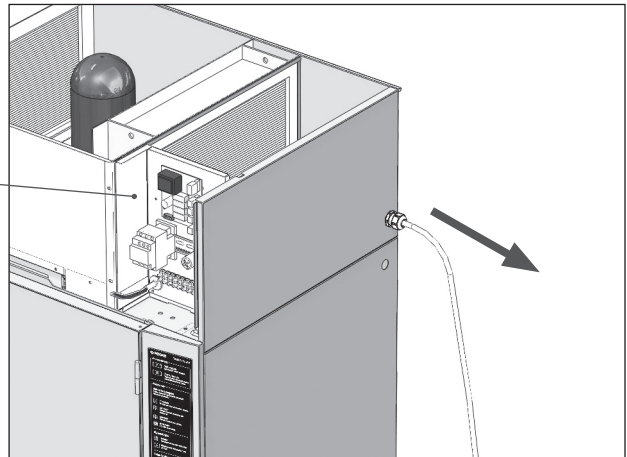
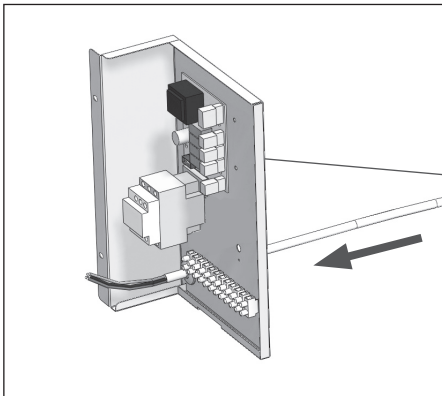
14



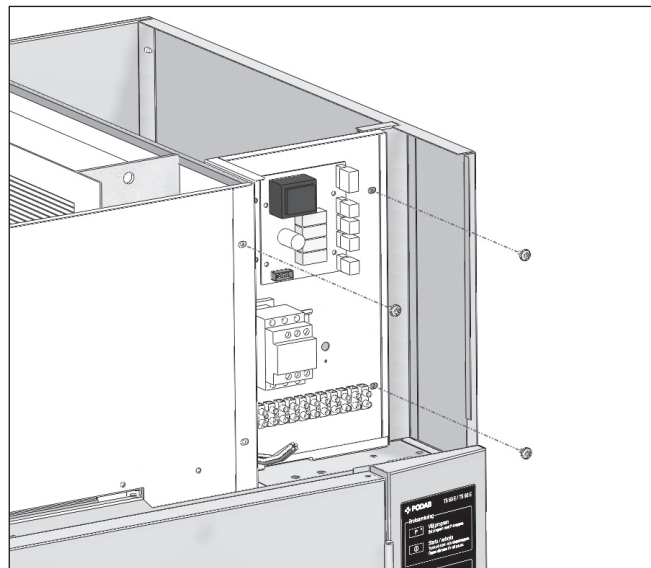
15



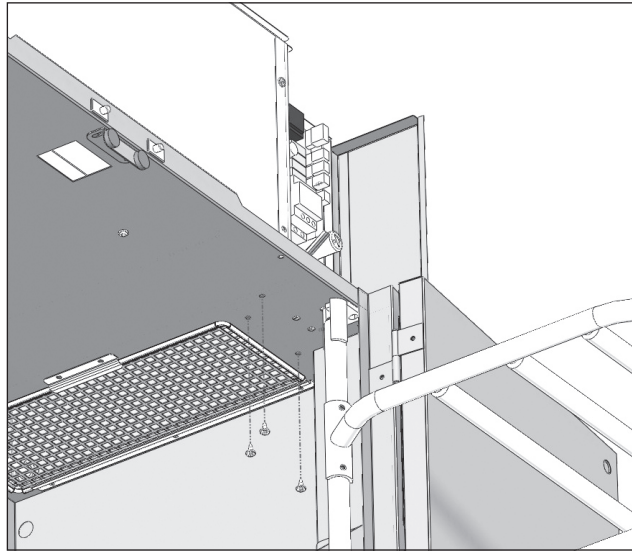
16



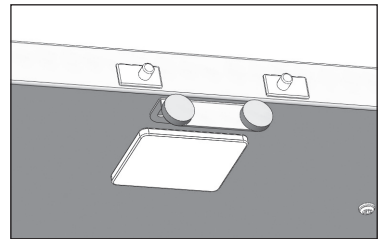
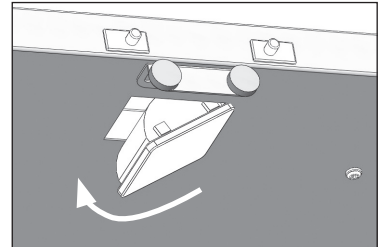
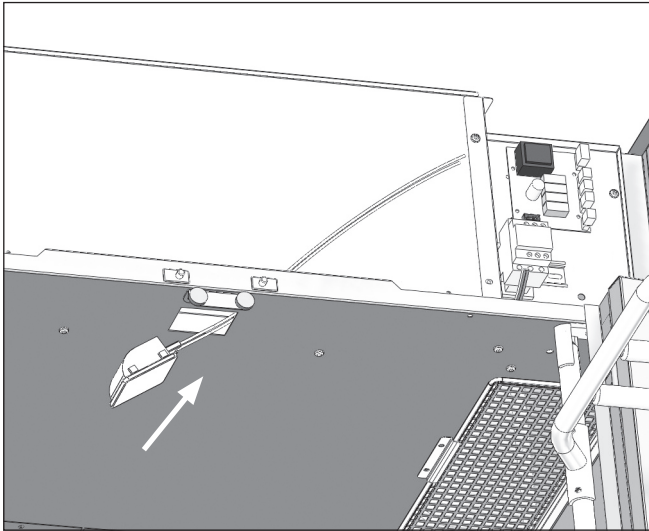
17



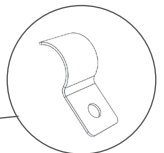
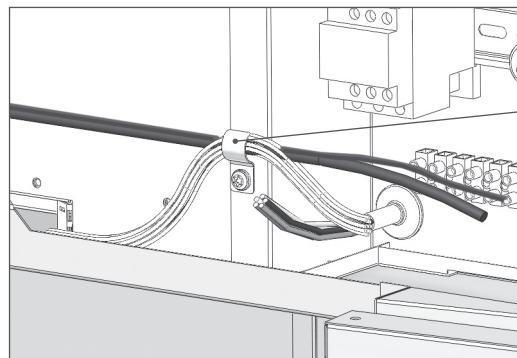
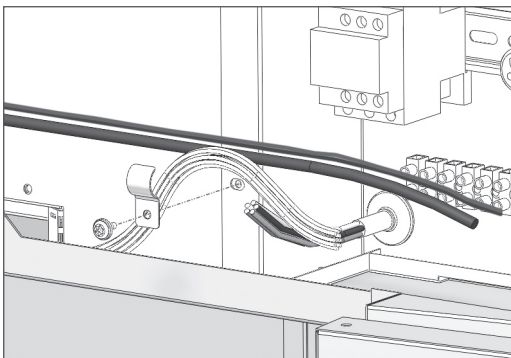
18



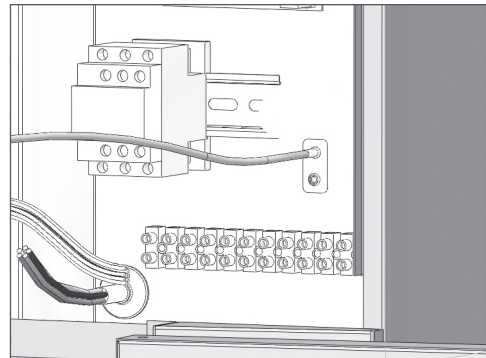
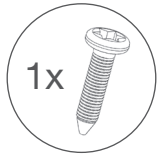
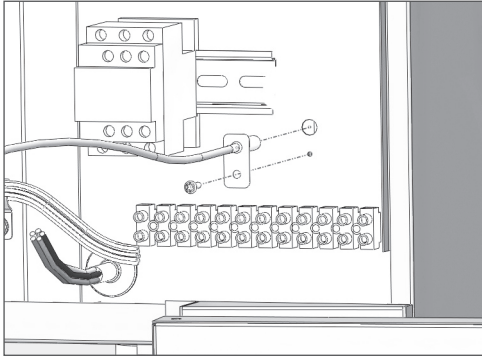
19



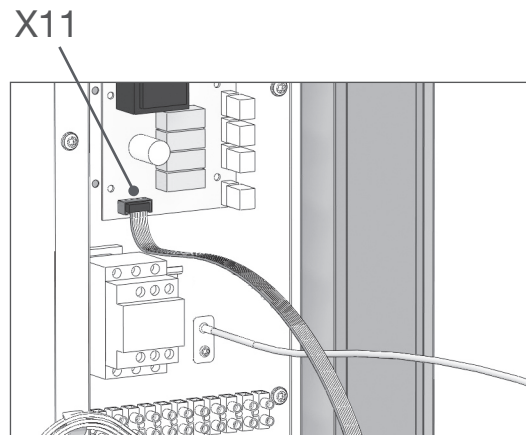
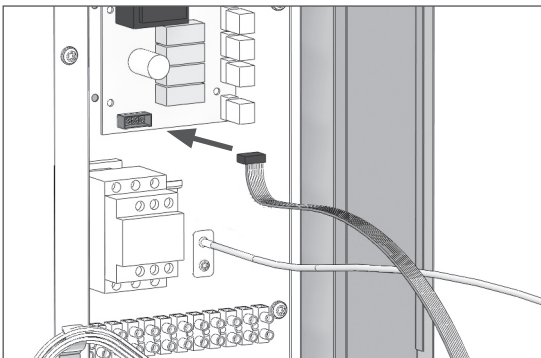
20



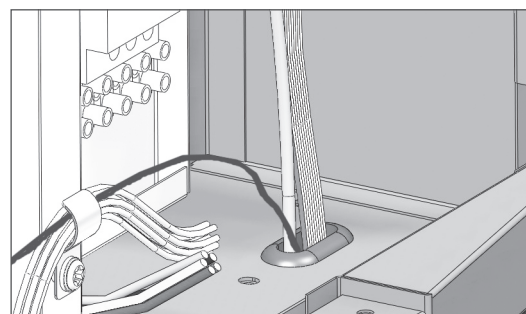
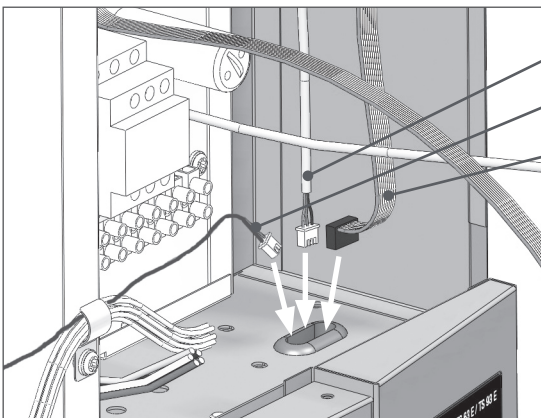
21



22

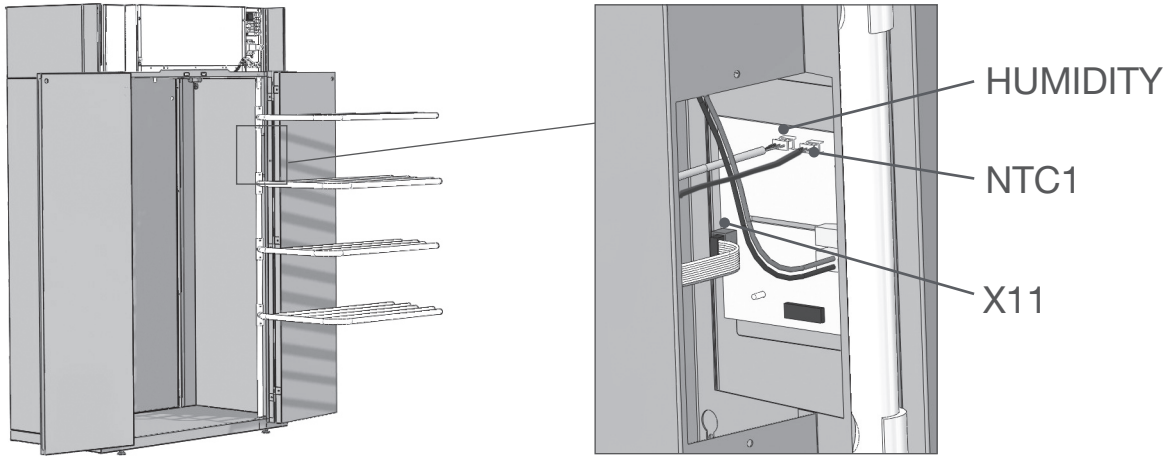


23

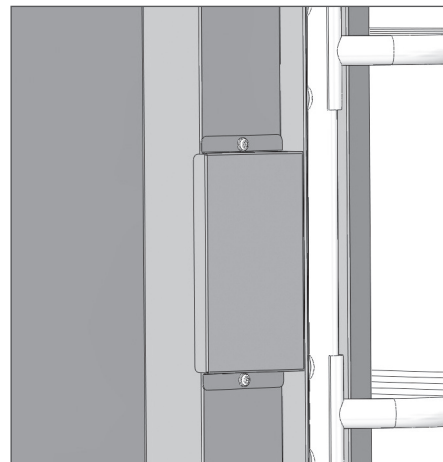
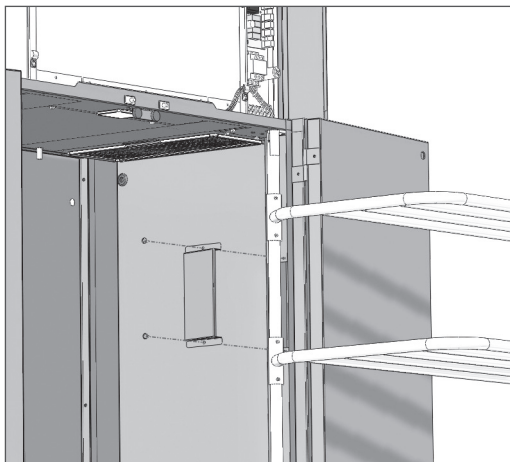


Humidity sensor cable
Temperature sensor cable
Relay board -> program board cable

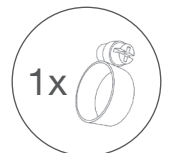
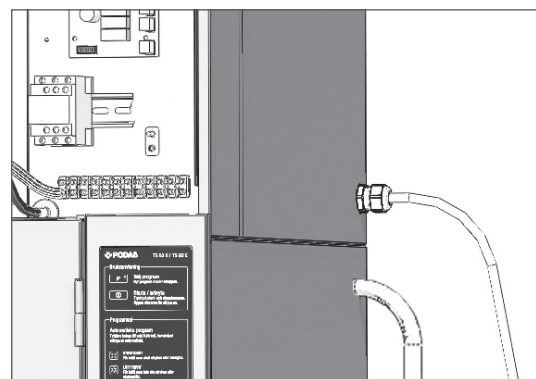
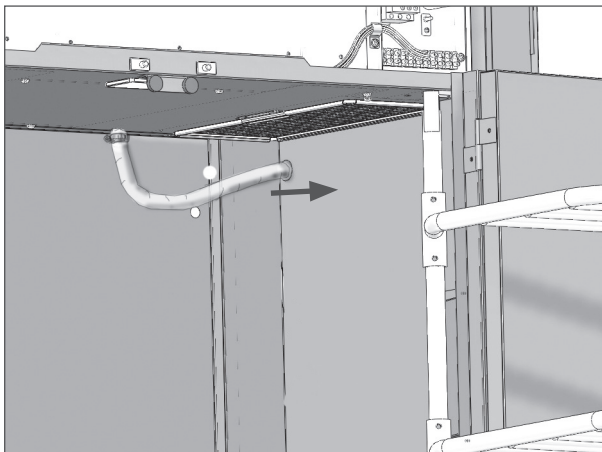
24 Connect cables to program board



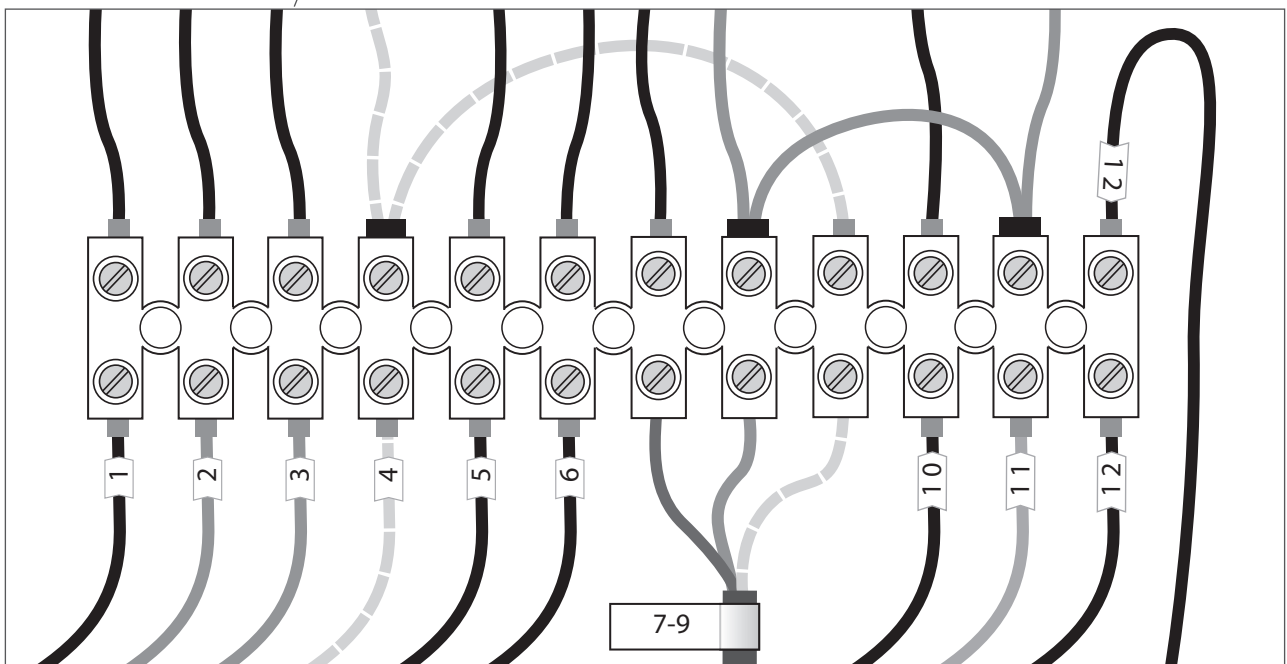
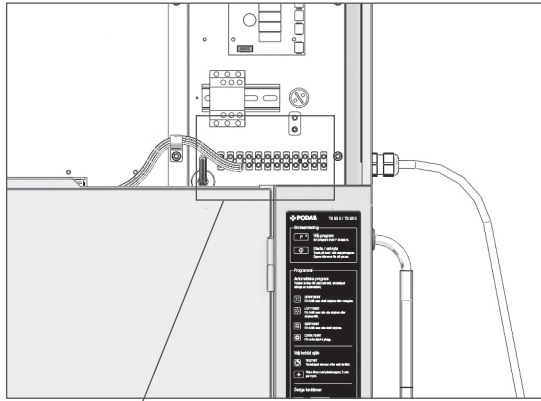
25



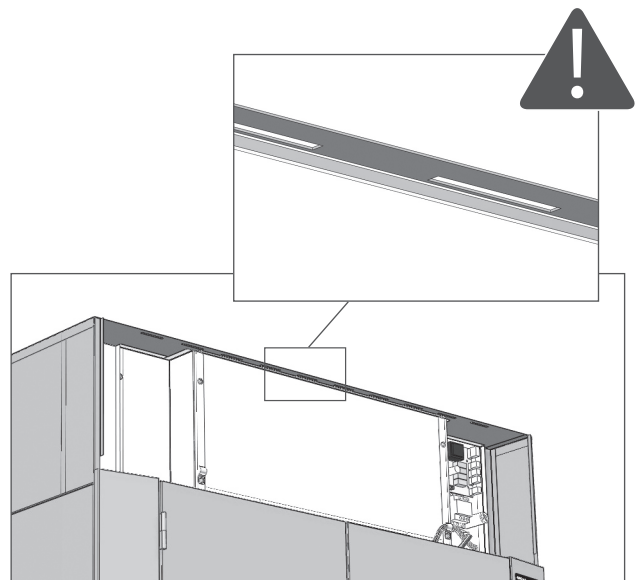
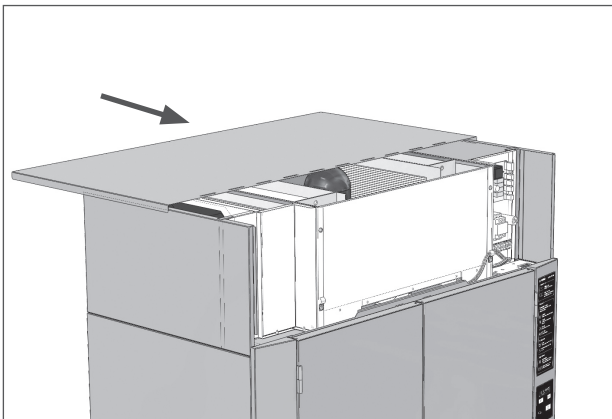
26



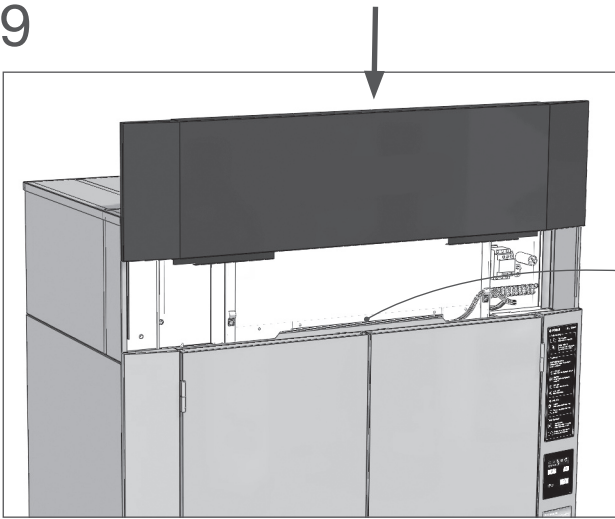
27 Connect cables in numerical order



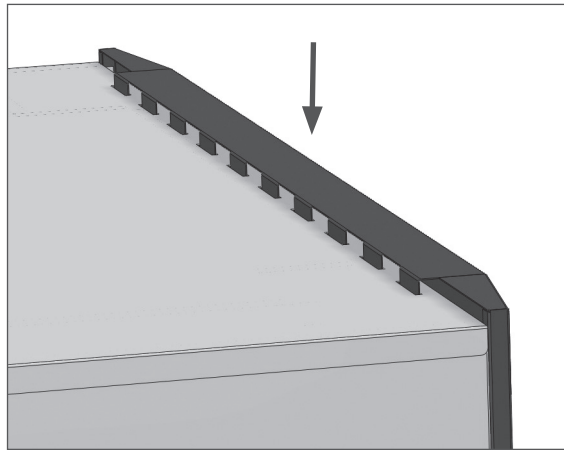
28



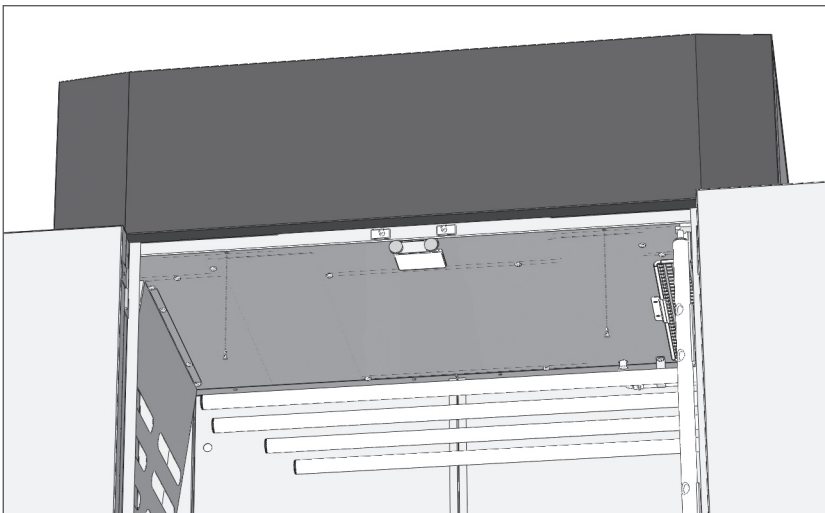
29



Make sure cables are out of the way



30



Installation of the cabinet

Step 1: Put the cabinet in place

Place the cabinet with enough space in front of the cabinet and on the sides to be able to open the doors.

The feet of the cabinet can be adjusted from the inside with the help of a Hex key. The feet must stand free on the floor and have an even weight distribution. Use a leveler and control that the cabinet is leveled; horizontally and vertically.

NOTE: We recommend that the cabinet is installed on a firm and leveled floor.

Please observe that there must be at least 50 mm of free space above the cabinet, in order to perform service.

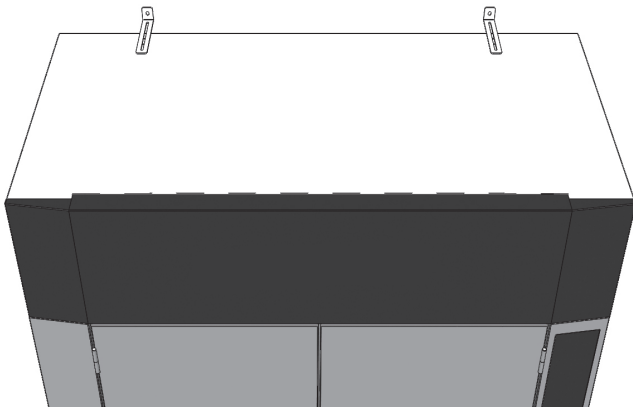
The room in which the cabinet is installed should be well ventilated. We recommend a room volume of minimum 50 m³ for optimal functionality.

Narrow spaces

If the cabinet must be transported through narrow spaces, we recommend that you take off the doors first. It will simplify the handling and reduces the risk for damages on the doors.

Step 2: Fasten the cabinet to the wall

Use the angle irons to secure the cabinet to the wall. The mounting holes are placed at the top of the cabinet. The angle irons can be adjusted to fit the distance to the wall.



NOTE: Please control that the cabinet is leveled and cannot be tilted.

Step 3: Connect condensate pipe

The condensate drain pipe can be installed into a standpipe with siphon, inserted through a hose elbow in a sink or introduced in a floor drain.

The dimensions of the pipe is \varnothing 20/26 x 2000 mm.

IMPORTANT: Make sure that the condensate drain hose is carefully installed without traction of any kind.

Step 4: Connect the drying cabinet to the main switch

To prevent that fire and electric shock appear, the cabinet MUST be connected according to the color codes on the cables. Only an authorized electrician is allowed to install the electrical connection. The cabinet is prepared for one of the following electrical connections depending on specification:

IMPORTANT: The drying cabinet must be connected in the correct phase sequence in order to start. The cabinet is equipped with a phase sequence protection relay. A green light will be lit on the relay when the sequence is correct.

The drying cabinet is prepared for 400V, 3~N, 50Hz.

WARNING

It is always the buyer that has the responsibility to check that an authorized electrician makes the electrical connections of the cabinet.

WARNING

To prevent personal injuries, the cabinet shall always be connected permanently through an all pole main switch. Always ground the cabinet.

Also check that the connecting cable has a strain relief bushing. If not, there is a risk that the cabinet will be live.

User manual

Fill the cabinet

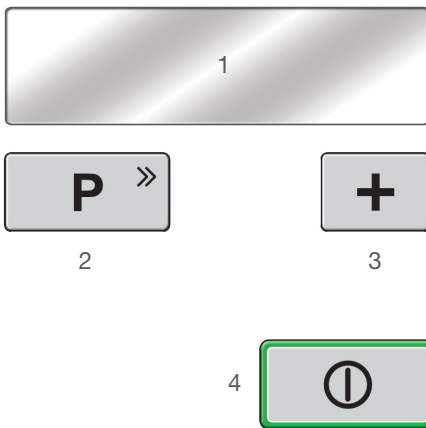
To get the best drying result: dry the same type of material at the same time. Never fill the cabinet with more than 8 kg laundry (dry weight).

Close the doors

The cabinet will not start until the door is completely closed.

Keypad

1. Display
2. Program select*
3. Increase time
4. Start/stop



* Program fast forward during drying.

Select program

Change program by pushing program select (button 2). The symbol of the chosen program gets highlighted and the program name is showed on the screen.

Start program

Push start/stop button (button 4) in order to start the drying cabinet.

Pause program

To pause a working programme, open the doors. The cabinet will continue to run for one minute before it stops. Close the doors and push the start button to continue drying.

Cancel program

To cancel a working program push the start-/stop button.

Clean the lint filter

Check the lint filter after usage. Clean when needed. The filter can be removed for easier handling.

Standby

If no buttons are pushed or the doors have not been opened for 4 minutes the display will be turned off. Also the light inside the cabinet is turned off if the doors are left opened.

Automatic programs

The drying cabinet is equipped with the function HTS – Humidity Tracking System. This function is activated in the automatic program mode. The drying time adjusts to the laundry in the cabinet

To choose automatic program

The drying cabinet has four automatic programs:



IRON DRY

For laundry to be ironed.



SLIGHTLY DRY

For laundry that will not be ironed or only lightly ironed.



CABINET DRY

For laundry that will not be ironed.



EXTRA DRY

For particularly thick fabrics.

Select drying time manually



TIMED DRYING

The cabinet has a timed drying program for the user who prefers to set the time manually.

Set the time

The default drying time when entering Timed drying program is 0:15h. Increase the drying time with the plus button. The drying time can be increased to a maximum of 2:30h.

Maintenance

Installation during winter

If the cabinet is installed on a cold winter day (below 0°C) and has been left outside we recommend that it is left for a couple of hours in room temperature before start up.

Take good care of the cabinet

Only use a damp cloth with a mild detergent when cleaning the cabinet.

Never use solvent to clean the display.

Once-a-year cleaning

We recommend that the area around the fan, the heat pump condenser and the evaporator is cleaned thoroughly once a year. Be careful so that the lamellas on the heat pump components are not damaged.

IMPORTANT: Always switch off the electricity before starting to work with the cabinet.

Keep your cabinet efficient and economical

- The ventilation channels shall be as short as possible.
- If possible, dry the same type of textiles at the same time.
- Clean the lint filter regularly.
- Keep the heat pump unit free from dust.

